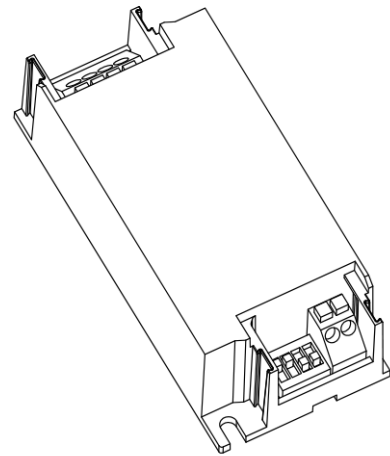


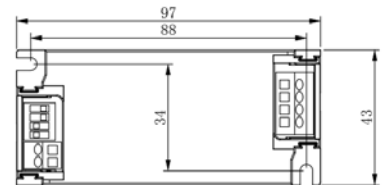
28W DALI Dimmable Driver 150-700mA

LS-D-6201-28



DIMENSIONS

unit:mm
tol:±0.5mm



total length driver incl connector box: 213mm



- Stand alone type Dimmable adjustable output power LED driver
- Support DALI-2, Push Dimming
- Flicker free LED driver
- Output current 150-700mA by DIP Switch adjust
- Max. output power 28W
- Constant lumen output (CLO)
- For luminaires of protection class I, II
- 5-year warranty

ELECTRICAL SPECIFICATIONS

Rated input voltage range	220 ... 240 Vac				
Max. input voltage range	176 ... 264 Vac				
DC voltage range	176 ... 278 Vdc				
Rated frequency range	0 / 50 / 60 Hz				
Max. input current	0.25 A @ 230 Vac				
Total harmonic distortion (max.)	≤ 10 % at rated input voltage range @ full load				
Inrush current	Cold start 50A (test twidth = 10µs at 50% Ipeak) @ 230Vac;				
MCB Loading Quantity	MCB Type:	B10	C10	B16	C16
	Qty (PCS):	18	23	30	36
Output current tolerance	± 5 % at rated input voltage range @ rated load				
No load output voltage	≤ 59 Vdc				
Standby power consumption	≤ 0.5W				
Ripple output current	Peak-to-average value(≤ 3KHz) ≤ 4%				
Output PST	≤1				
Output SVM	≤0.4				
Dimming	Dimming mode	DALI-2, Push Dimming			
	Dimming current range	1%~100%			
Withstand voltage	I/P-O/P: 3.75 kVac, < 5 mA 60 sec				
Mains surge immunity	L-N 1 kV				
Connection terminal type	90° push in terminal				
Wire cross section	Primary side: 0.5 - 1.5 mm ² ; secondary side: 0.5 - 1.5 mm ²				
Wire stripping length	7 - 8 mm				
Protection rating	IP 20				
Protection	Over voltage protection:The output voltage is less than or equal to 59V				
	Short circuit protection: Hiccup mode. Protection device will trigger when short circuit and will auto recover after the fault mode is removed.				
Supplementary instruction	The power supply is used in combination with the terminal equipment as a part of the whole lamp. Because the EMC performance is affected by LED lamps and wiring, the terminal is set In case the manufacturer needs to reconfirm the EMC of the whole device.				

ELECTRICAL SPECIFICATIONS

Output Current	150mA	500mA	600mA	650mA	700mA
Input Voltage	220-240Vac				
Output Voltage	6-52VDC	6-49VDC	6-46VDC	6-42VDC	6-40VDC
Efficiency @full	85 %	86 %	86 %	86 %	87 %
Current Accuracy	±5%				
Power Factor	≥0.9				

ELECTRICAL SPECIFICATIONS

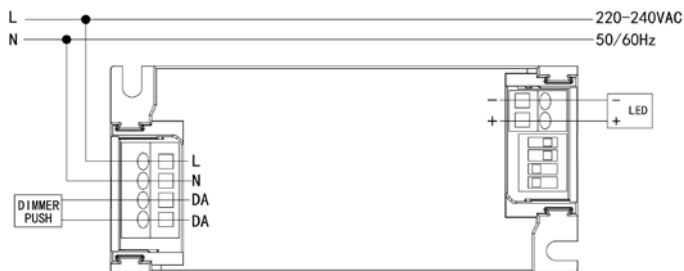
Operating temperature	- 20 to 50° C
Storage temperature	- 40 to 80° C
Working humidity	10 % to 90 %
Store humidity	5 % to 90 %
Driver lifetime	at Tc = 90° C, 50.000 hrs
Maximum Tc temperature	85° C

ADJUSTABLE OUTPUT CURRENT WITH DIP-SWITCH

Vout	Pout	Iout	1	2	3	4
6-52Vdc	7.8W	150mA	-	-	-	-
6-52Vdc			-	-	-	ON
6-52Vdc			-	-	ON	-
6-52Vdc			-	-	ON	ON
6-52Vdc			-	ON	-	-
6-52Vdc	10.4W	200mA	-	ON	-	ON
6-52Vdc	13.0W	250mA	-	ON	ON	-
6-52Vdc	15.6W	300mA	-	ON	ON	ON
6-52Vdc	18.2W	350mA	ON	-	-	-
6-52Vdc	20.8W	400mA	ON	-	-	ON
6-52Vdc	23.4W	450mA	ON	-	ON	-
6-49Vdc	24.5W	500mA	ON	-	ON	ON
6-49Vdc	27.0W	550mA	ON	ON	-	-
6-46Vdc	27.6W	600mA	ON	ON	-	ON
6-44Vdc	27.3W	650mA	ON	ON	ON	-
6-42Vdc	28W	700mA	ON	ON	ON	ON

"ON" Indicates that DIP switch is on, "-" Indicates that DIP switch is off

WIRING DIAGRAM



- All connections must be as short as possible to ensure good EMI performance.
- The lamp wire should keep a certain distance from the LED power supply and other wires (5-10 cm is preferred).
- Incorrect wiring can damage LED.
- The wire must be well protected against short circuit.

ACCESSORIES



CONNECTOR BOX 1

Length 38mm
Width 34mm
Height 30mm



CONNECTOR BOX 2

Length 115mm
Width 57mm
Height 30mm



Total length driver incl connector boxes: 213mm